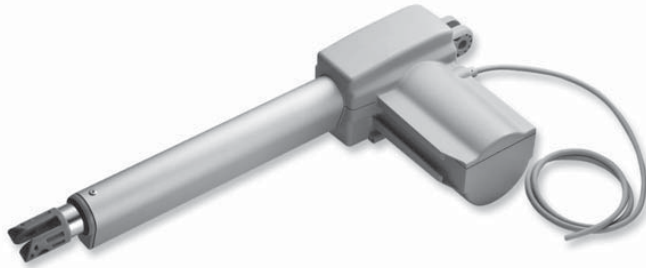


Linear Actuator

LAN Series

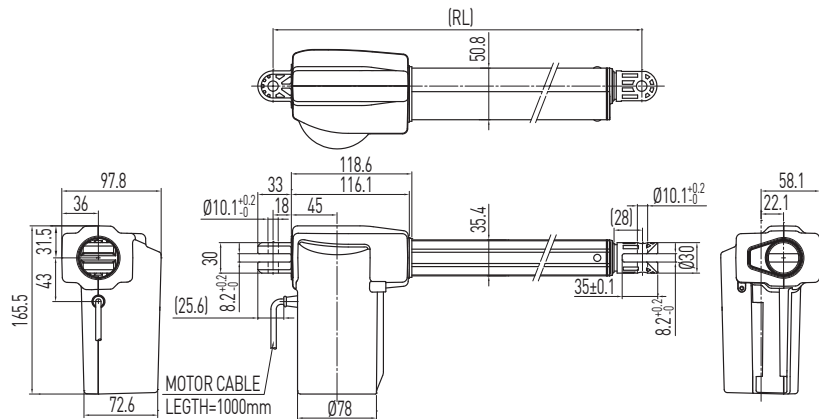
LAN5



- LAN5-1
RL=S+163
Stroke ≤ 200

- Other spec.
RL=S+163
Stroke ≤ 250
RL=S+213
Stroke = 300

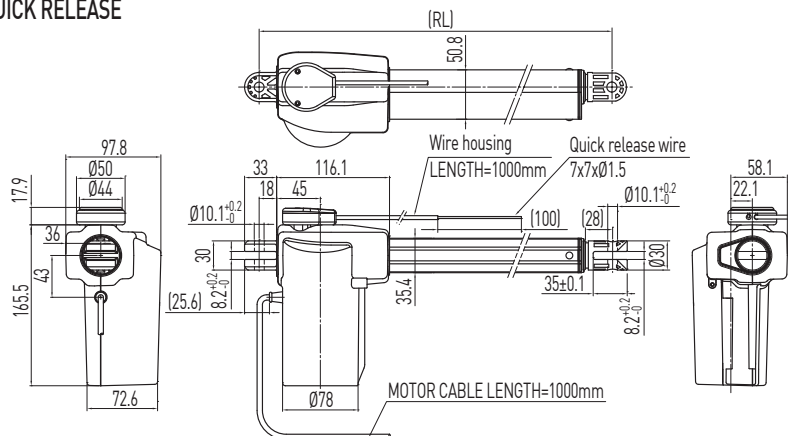
RL: Retracted length
S: Stroke length



QUICK RELEASE

Quick release function:

- (1) The quick release cable can be pulled while the load on actuator under 100N.
- (2) When the quick release is activated, the actuator must have a load over 700N to ensure the actuator runs inwards.
- (3) After quick release activated, it may be necessary to run the actuator inwards.



Stroke>300 mm or special: execution available for quantity > 50 pieces.

Specifications

Screw type	ACME
Weight*	1.96kg
Protection	IP54
Compatible controller	Compatible with all kinds of controller [*Notice the type of connector: Audio/DIN 4PIN]
Working temp.	+5°C~40°C

* Stroke length 200mm

Option:

- (1) Hall Sensor
- (2) Safety nut
- (3) Mechanical Spline (push only)

- (4) Back fixture turned 0°, 45°, 90°, 135°
- (5) IP65; IP66

- (6) Quick release (For LAN5-3, LAN5-4 only)
- (7) UL version (Only 24VDC Motor)
- (8) Plug: DIN 4PIN plug / Stereo plug / Mono plug

Position feedback specifications (Hall Sensor)

Supply voltage	24VDC	12VDC	5VDC
Output	High level 24VDC	High level 12VDC	TTL
	Low level 0.2V / 10mA sink (NPN)	Low level 0.2V / 10mA sink (NPN)	

LAN5 Specifications

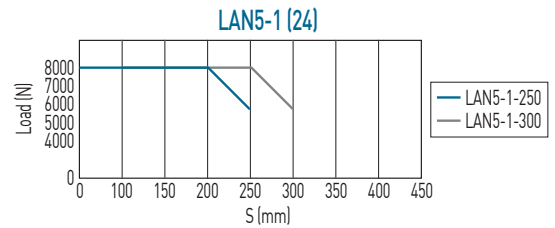
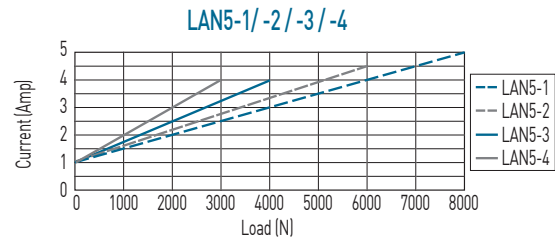
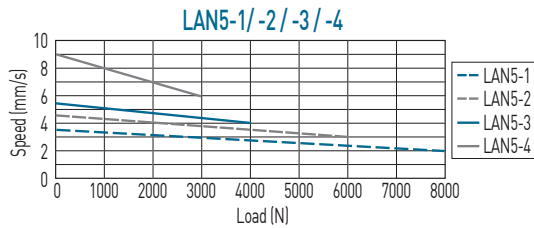
Model	Thrust max. (N)	Pulling max. (N)	Holding max. (N)	Speed (mm/s) Load = Max. / Load = 0	Standard stroke (mm) : S					Duty cycle %	Current max. (A) 24VDC	Hall Sensor Resolution (mm/pulse)
					100	150	200	250	300			
LAN5-1	8000	4000	6000	2 / 3.5	100	150	200	250	300	10	5	0.08
LAN5-2	6000	4000	5000	3 / 4.5	100	150	200	250	300	10	4.5	0.10
LAN5-3	4000	3000	4000	4 / 5.5	100	150	200	250	300	10	4	0.14
LAN5-4	3000	2000	1500	6 / 9	100	150	200	250	300	10	4	0.22

* When the stroke of LAN5-1 is between 250mm and 300mm, refer to the diagram on the right for max. load.

* LAN5-3 24V Quick release Holding max. 3000N

* LAN5-4 24V Quick release Holding max. 1000N

* Min. input power = Voltage x Current max.



**Note: The test results are obtained by using the 24VDC power supply.

LAN5(24Q) Specifications

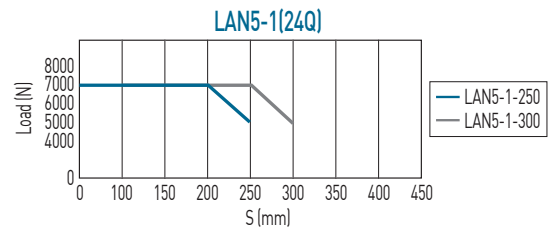
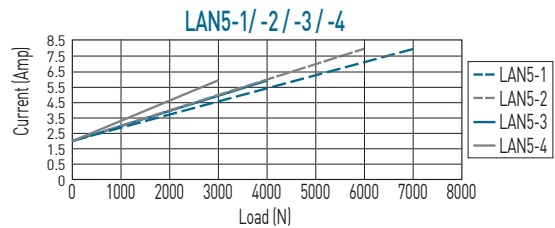
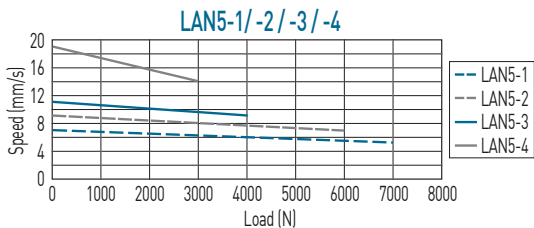
Model	Thrust max. (N)	Pulling max. (N)	Holding max. (N)	Speed (mm/s) Load = Max. / Load = 0	Standard stroke (mm) : S					Duty cycle %	Current max. (A) 24VDC	Hall Sensor Resolution (mm/pulse)
					100	150	200	250	300			
LAN5-1	7000	4000	6000	5 / 7	100	150	200	250	300	10	8	0.08
LAN5-2	6000	4000	5000	7 / 9	100	150	200	250	300	10	8	0.10
LAN5-3	4000	3000	4000	9 / 11	100	150	200	250	300	10	6	0.14
LAN5-4	3000	2000	1500	14 / 19	100	150	200	250	300	10	6	0.22

* When the stroke of LAN5-1 is between 250mm and 300mm, refer to the diagram on the right for max. load.

* LAN5-3 24Q Quick release Holding max. 3000N

* LAN5-4 24Q Quick release Holding max. 1000N

* Min. input power = Voltage x Current max.



Ordering Information

LAN5 - 1 1 - 1 - 200 - 24 G E

Model number	Force direction	1: Basic model complete with internal limit switches	Stroke length	Voltage	Color	Special models according to the customer's requirement (Ignore this part of the serial number if not available)
	1: Standard 2: Suspending install, pull			24: Standard motor 24Q: Fast motor	B: Black G: Gray	