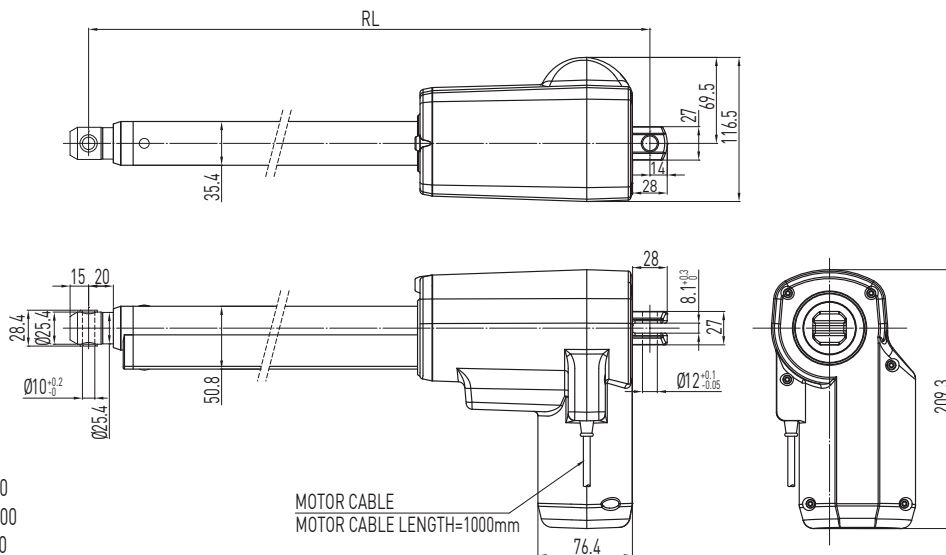
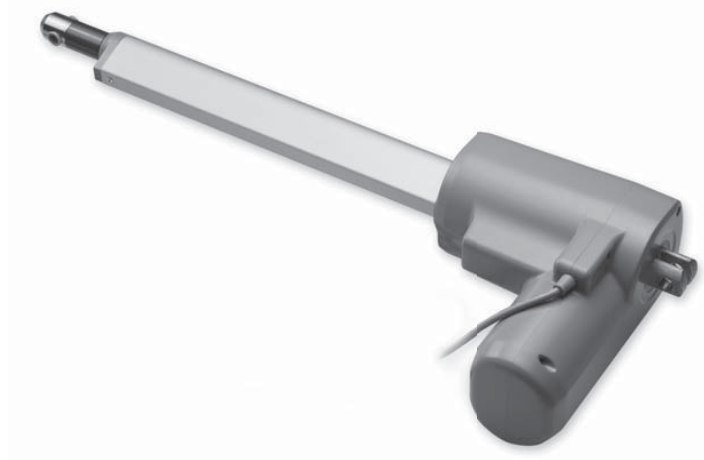


Linear Actuator

LAN Series

ANDANTE[®] X

LAN3A



- RL = S+220
Stroke < 200
RL = S+260
Stroke: 200-500mm
RL: Retracted length
S: Stroke length

Stroke>500 mm or special: execution available for quantity > 50 pieces.

Specifications

Screw type	ACME
Weight*	5.2kg
Protection	IP54
Compatible controller	LAK6B / LAK2J
Working temp.	+5°C-40°C

* Stroke length 200mm

Apply:

Large thrust with (1.2Nt)

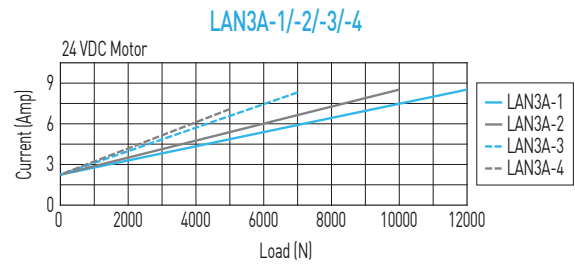
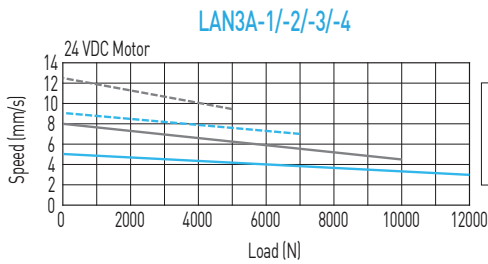
Option:

- (1) IP66
- (2) Potentiometer 10K ohm (RL = S+231, S < 200mm / RL = S+271, S: 200-500mm)
* The max. stroke lengths with potentiometer: LAN3A-1 Max.280mm, LAN3A-2 Max.420mm, LAN3A-3 Max.560mm, LAN3A-4 Max.700mm
- (3) Mechanical Spline(push only) (RL = S+262, S < 200mm / RL = S+302, S: 200-500mm)
- (4) Safety Nut (RL = S+232, S < 200mm / RL = S+272, S: 200-500mm);
Safety Nut+Mechanical Spline (RL = S+269, S < 200mm / RL = S+309, S : 200-500mm)
- (5) Mechanical quick release
- (6) Back fixture turned 90°
- (7) Fast motor 24Q
- (8) External reed switches (RL = S+300, S < 200mm / RL = S+340, S : 200-500mm)
- (9) MR Sensor feedback
- (10) Plug: DIN 4PIN plug / Stereo plug / Mono plug
- (11) UL Version
- (12) Anti-UV material

LAN3A Specifications

Model	Thrust max. (N)	Pulling max. (N)	Holding max. (N)	Speed (mm/s) Load = Max. / Load = 0	Standard stroke (mm) : S	Duty cycle %	Current max. (A) 24VDC	Potentiometer Resolution (Ohm/mm)	MR Sensor Resolution (mm/pulse)
LAN3A-1	12000	6000	12000	3 / 5	100 150 200 250 300 350 - - -	10	8.3	33.3	0.1
LAN3A-2	10000	6000	10000	4.5 / 8	100 150 200 250 300 350 400 - - -	10	8.3	22.2	0.16
LAN3A-3	7000	6000	7000	7 / 9	100 150 200 250 300 350 400 450 - - -	10	8	16.7	0.22
LAN3A-4	5000	5000	5000	9.5 / 12.5	100 150 200 250 300 350 400 450 500	10	7	13.3	0.27

* Min. input power = Voltage x Current max.

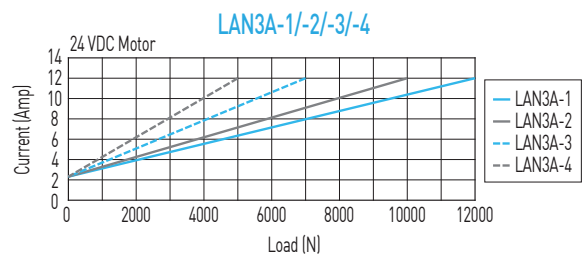
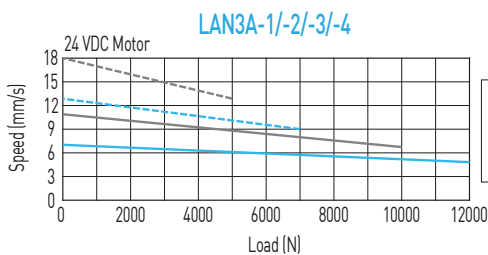


**Note: The test results are obtained by using the 24VDC power supply and holding by motor short-circuited.

LAN3A (Fast Motor 24Q)

Model	Thrust max. (N)	Pulling max. (N)	Holding max. (N)	Speed (mm/s) Load = Max. / Load = 0	Standard stroke (mm) : S	Duty cycle %	Current max. (A) 24VDC	Potentiometer Resolution (Ohm/mm)	MR Sensor Resolution (mm/pulse)
LAN3A-1	12000	6000	12000	4.5 / 7	100 150 200 250 300 350 - - -	10	12	33.3	0.1
LAN3A-2	10000	6000	10000	7 / 11	100 150 200 250 300 350 400 - - -	10	12	22.2	0.16
LAN3A-3	7000	6000	7000	9 / 13	100 150 200 250 300 350 400 450 - - -	10	12	16.7	0.22
LAN3A-4	5000	5000	5000	13 / 18	100 150 200 250 300 350 400 450 500	10	12	13.3	0.27

* Min. input power = Voltage x Current max.



**Note: The test results are obtained by using the 24VDC power supply and holding by motor short-circuited.

Ordering Information

LAN3A - 1 1 - 1 - 200 - 24 G E						
Model number	Force direction 1: Standard 2: Suspending install, pull	1: Basic model complete with internal limit switches	Stroke length	Voltage 24: Standard motor 24Q: Fast motor	Color B : Black G : Gray	Special models according to the customer's requirement (Ignore this part of the serial number if not available)