

POS⁺

Position Transducer - Contactless

ME132415-00



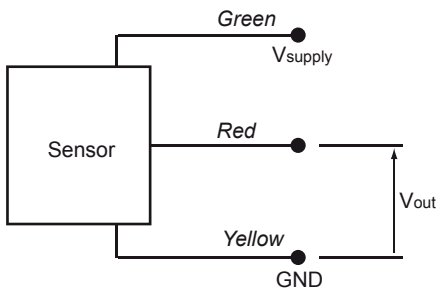
Specifications

Supply Voltage (DC)	5 V ± 10 %
Supply Current (mA, typical)	10
Output Signal Analog ratiometric	10 % > 90 % of Vsupply
Load Resistance Recommended (kΩ)	1 (min.)
Electrical Angle (continuous)	360°
Linearity	± 1 %
Hysteresis	< 0.2 %

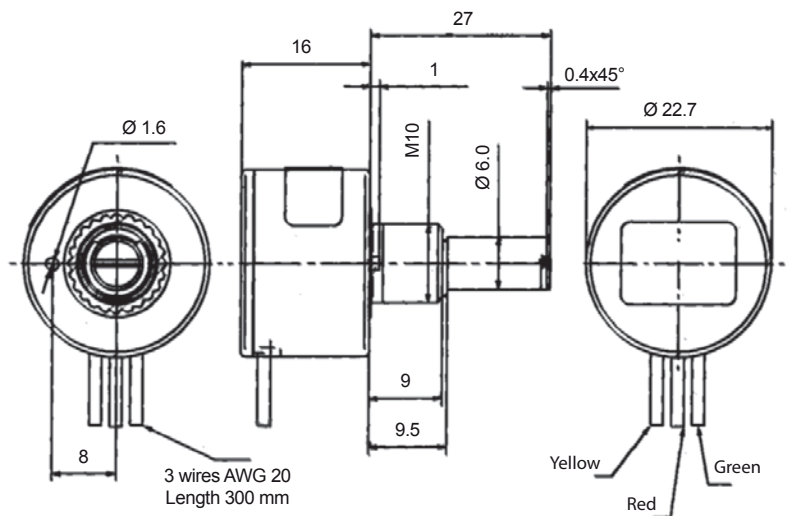
Benefits

- ▶ Accurate linearity down to ± 0.5 %
- ▶ 360° of electrical angle available (no dead band)
- ▶ Long life: greater than 10M cycles
- ▶ Hall effect technology: 100% contactless
- ▶ Dedicated to all applications, even in harsh environments

Connexions



Dimensions



Output

