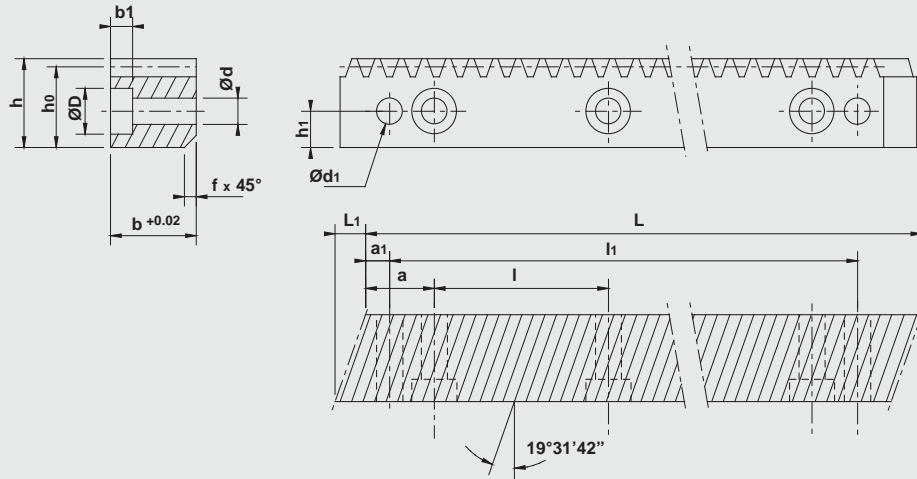


dimensioni

Cremagliere standard 'H'



Designed for Helical tooth
Racks & Pinions systems

'H' denti elicoidali - 19°31'42"

FEATURES

Material	C45E DIN 1.1191
Profile	All faces hardened and ground
Teeth	20° pressure angle
Quality	6h23 (DIN 3962 / 63 / 67) - Teeth hardened and ground
Adjacent pitch error	0.008 mm (0.006 for Module 3)
Tolerance of cut for continuous mounting	P_f : - 0.05 / - 0.20
Cumulative pitch error	See the table below. <i>F_p</i> is the max cumulative pitch error for the corresponding rack length

Companion rack for assembly available

Helical teeth racks without holes and/or with special execution available

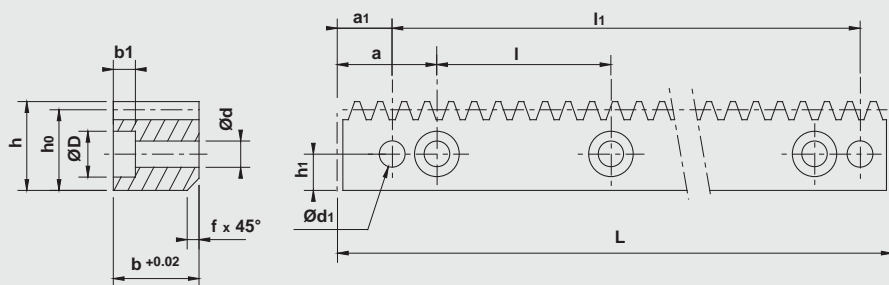
Part No.	P _n	P _t	Module	L	z	b	h	h ₀	f ^{+0.5}	a	l	h ₁	d	D	b ₁	a ₁	l ₁	d ₁	F _p
RH03.050.4.SQ6	9.425	10	3	500.00	50	29	29	26	2	62.5	125	9	10	15	9	35	430.0	7.7	0.028
RH03.100.8.SQ6	9.425	10	3	1000.00	100	29	29	26	2	62.5	125	9	10	15	9	35	930.0	7.7	0.037
RH04.051.4.SQ6	12.566	13.33	4	506.67	38	39	39	35	2	62.5	125	12	10	15	9	33.3	433.0	7.7	0.030
RH04.100.8.SQ6	12.566	13.33	4	1000.00	75	39	39	35	2	62.5	125	12	10	15	9	33.3	933.4	7.7	0.036
RH05.050.4.SQ6	15.708	16.67	5	500.00	30	49	39	34	3	62.5	125	12	14	20	13	37.5	425.0	11.7	0.028
RH05.100.8.SQ6	15.708	16.67	5	1000.00	60	49	39	34	3	62.5	125	12	14	20	13	37.5	925.0	11.7	0.034
RH06.050.4.SQ6	18.85	20.00	6	500.00	25	59	49	43	3	62.5	125	16	18	26	17	37.5	425.0	15.7	0.031
RH06.100.8.SQ6	18.85	20.00	6	1000.00	50	59	49	43	3	62.5	125	16	18	26	17	37.5	925.0	15.7	0.036
RH08.048.4.SQ6	25.133	26.66	8	480.00	18	79	79	71	3	60	120	25	22	33	21	120	240.0	19.7	0.029
RH08.096.8.SQ6	25.133	26.66	8	960.00	36	79	79	71	3	60	120	25	22	33	21	120	720.0	19.7	0.033
RH10.050.4.SQ6	31.416	33.33	10	500.00	15	99	99	89	3	62.5	125	32	33	48	32	125	250.0	19.7	0.029
RH10.100.8.SQ6	31.416	33.33	10	1000.00	30	99	99	89	3	62.5	120	32	33	48	32	125	750.0	19.7	0.032

P_n (mm) : Normal pitch / P_t (mm) : transverse pitch / z : Number of teeth



dimensioni

Cremagliere standard 'S'



Designed for Straight tooth
Racks & Pinions systems

'S' denti dritti

FEATURES

Material	C45E DIN 1.1191
Profile	All faces hardened and ground
Teeth	20° pressure angle
Quality	6h23 (DIN 3962 / 63 /67) - Teeth hardened and ground
Adjacent pitch error	0.008 mm (0.006 for Module 3)
Tolerance of cut for continuous mounting	P_f : - 0.05 / -0.20
Cumulative pitch error	See the table below. <i>F_p</i> is the max cumulative pitch error for the corresponding rack length

Companion rack for assembly available

Straight teeth racks without holes and/or with special execution available

Part No.	p	Module	L	z	b	h	h0	f ^{+0.5}	a	l	h1	d	D	b1	a1	l1	d1	Fp
RS03.051.4.SQ6	9.425	3	508.94	54	29	29	26	2	63.62	127.23	9	10	15	9	34.4	440.1	7.7	0.029
RS03.102.8.SQ6	9.425	3	1017.88	108	29	29	26	2	63.62	127.23	9	10	15	9	34.4	949.1	7.7	0.037
RS04.051.4.SQ6	12.566	4	502.65	40	39	39	35	2	62.83	125.66	12	10	15	9	37.5	427.1	7.7	0.030
RS04.101.8.SQ6	12.566	4	1005.31	80	39	39	35	2	62.83	125.66	12	10	15	9	37.5	930.3	7.7	0.037
RS05.051.4.SQ6	15.708	5	502.65	32	49	39	34	3	62.83	125.66	12	14	20	13	30.2	442.3	11.7	0.028
RS05.101.8.SQ6	15.708	5	1005.31	64	49	39	34	3	62.83	125.66	12	14	20	13	30.2	944.9	11.7	0.034
RS06.051.4.SQ6	18.85	6	508.94	27	59	49	43	3	63.62	127.23	16	18	26	17	31.4	446.1	15.7	0.031
RS06.102.8.SQ6	48.85	6	1017.88	54	59	49	43	3	62.62	127.23	16	18	26	17	31.4	955.0	15.7	0.036
RS08.051.4.SQ6	25.133	8	502.65	20	79	79	71	3	62.83	125.66	25	22	33	21	26.7	446.3	19.7	0.029
RS08.101.8.SQ6	25.133	8	1005.31	40	79	79	71	3	62.83	125.66	25	22	33	21	26.7	952.0	19.7	0.033
RS10.051.4.SQ6	31.416	10	502.65	16	99	99	89	3	62.83	125.66	32	33	48	32	125.2	252.3	19.7	0.029
RS10.101.8.SQ6	31.416	10	1005.31	32	99	99	89	3	62.83	125.66	32	33	48	32	125.2	755.0	19.7	0.032

P (mm) : Pitch / z : Number of teeth