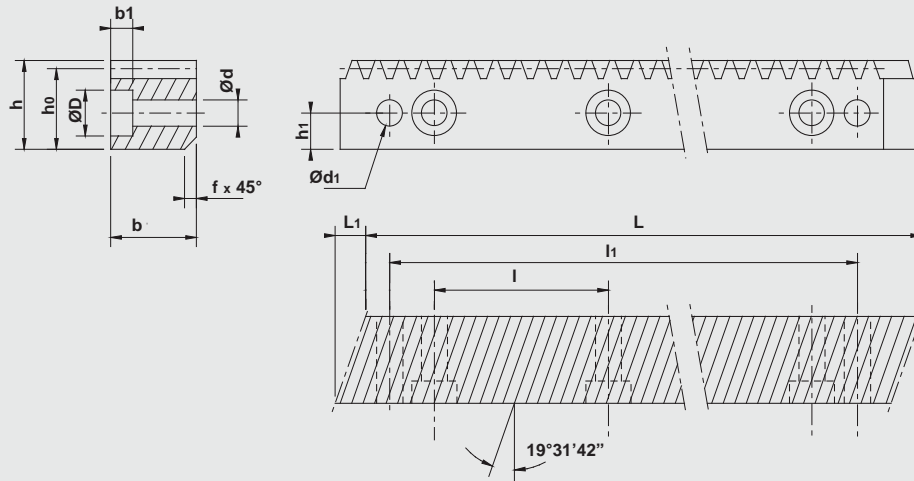


dimensioni

Cremagliere rinforzate



Designed for Helical tooth
Racks & Pinions systems

'H' denti elicoidali - 19°31'42"

FEATURES

- Material 16MnCr5
- Profile All faces hardened and ground
- Teeth 20° pressure angle
- Quality 6h23 - Teeth hardened and ground
- Adjacent pitch error 0.008 mm (0.006 for Module 3)
- Tolerance of cut for continuous mounting P_f : - 0.05 / -0.20
- Cumulative pitch error See the table below.
F_p is the max cumulative pitch error for the corresponding rack length

Companion rack for assembly available
Helical teeth racks without holes and/or with special execution available

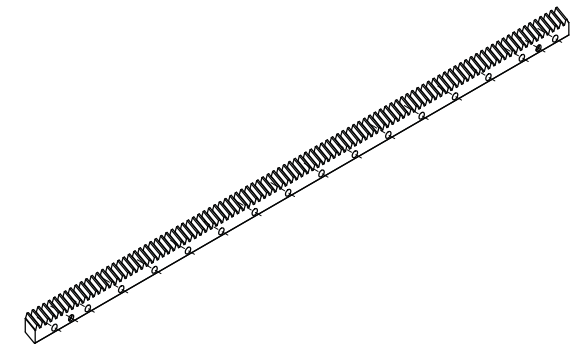
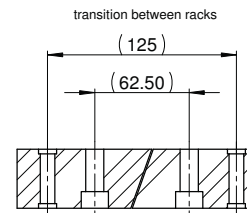
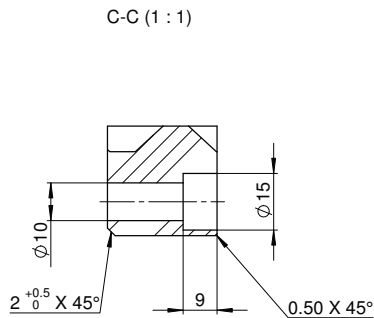
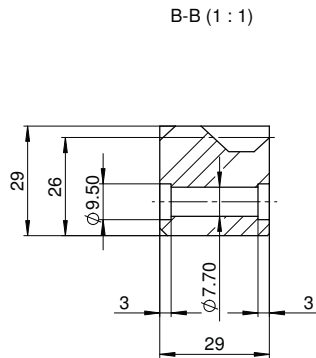
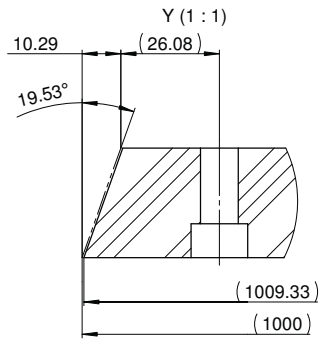
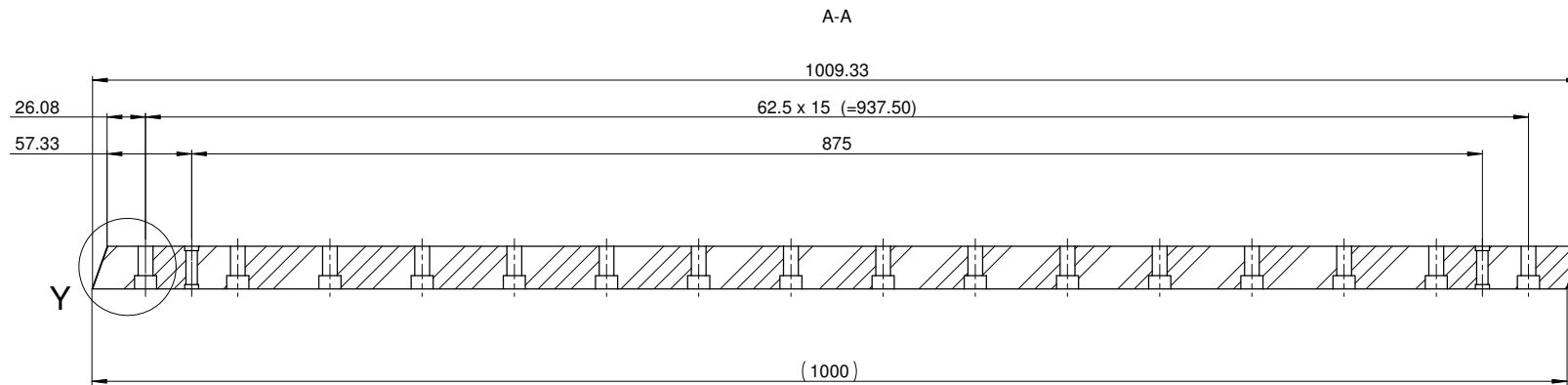
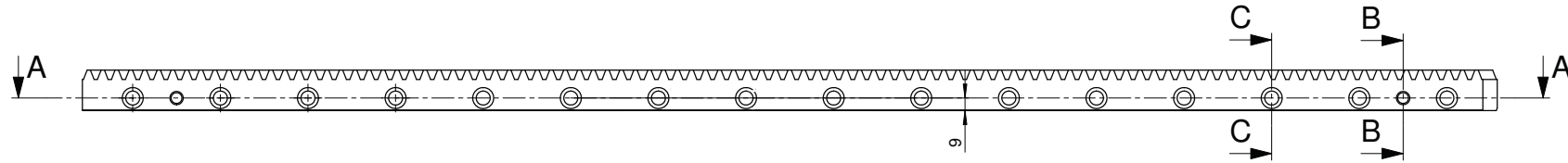
Part No.	P _n	P _t	Module	L	z	b	h	h ₀	f ^{+0.5}	l	h ₁	d	D	b ₁	l ₁	d ₁	F _p
RH03.100.8.SQ6	9.425	10	3	1000.00	100	29	29	26	2	62.5	9	10	15	9	875.0	7.7	0.037
RH04.100.8.SQ6	12.566	13.33	4	1000.00	75	39	39	35	3	62.5	12	12	18	11	875.0	9.7	0.036
RH05.100.8.SQ6	15.708	16.67	5	1000.00	60	49	39	34	3	62.5	12	14	20	13	875.0	11.7	0.034
RH06.100.8.SQ6	18.85	20.00	6	1000.00	50	59	49	43	3	62.5	16	18	26	17	875.0	15.7	0.036

P_n (mm) : Normal pitch / P_t (mm) : transverse pitch / z : Number of teeth

sales@andantex.it

**REDEX
ANDANTEX**
www.andantex.it

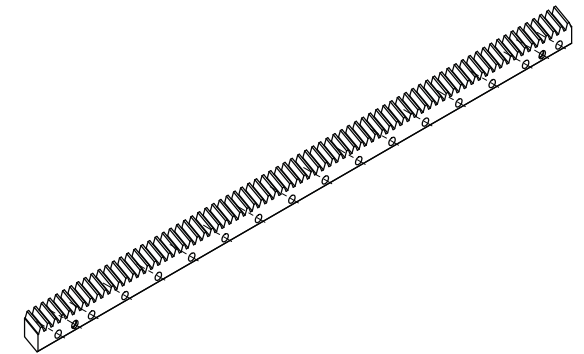
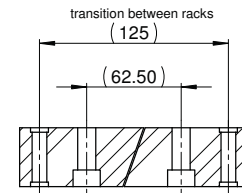
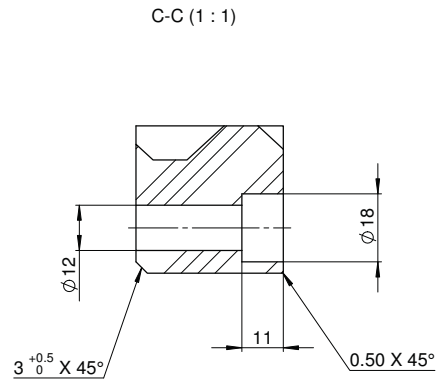
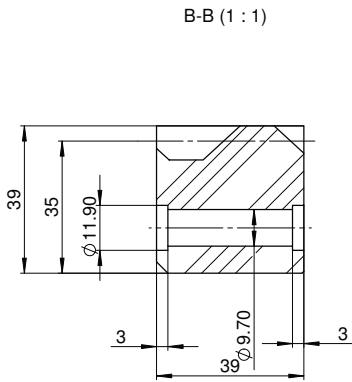
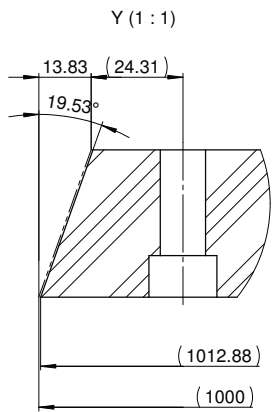
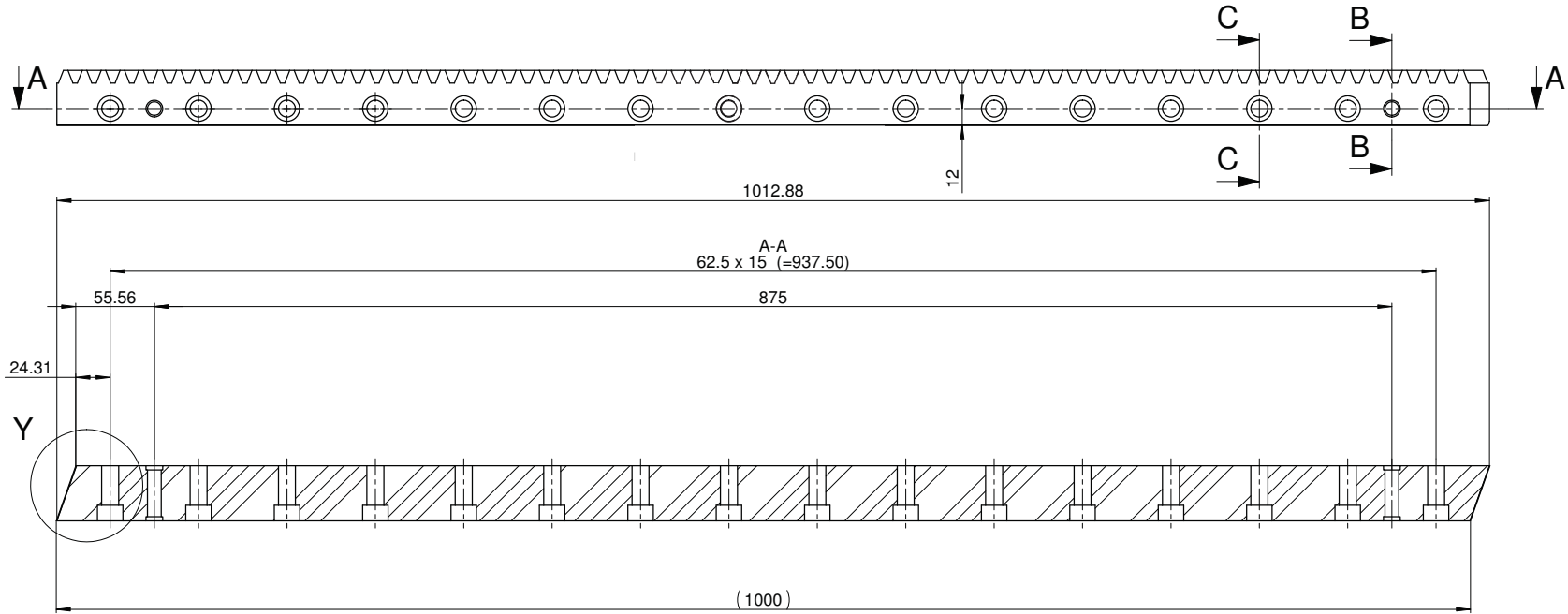
Normal module	Transverse module	Normal pitch	Transverse pitch	Tooth depth
mn	mt	pn	pt	h
3	3.183	9.425	10	6.75



Reference profile	DIN867
Pressure angle α	20°
Helix angle β	19°31'42" = 19.5283
Helix angle direction	right

 First angle projection	All dimensions are METRIC except where noted	Rev. doc.	Weight approx.	Material	16MnCr5
			Scale	Origin	
			5.4 kg	Gezeichnet	01.02.19
			1:2.5 for A2	Detailed	01.02.19
			Sheets	Checked	
			1/1	BCH no.	
RH03.100.16.RQ6			Article no.		
					-

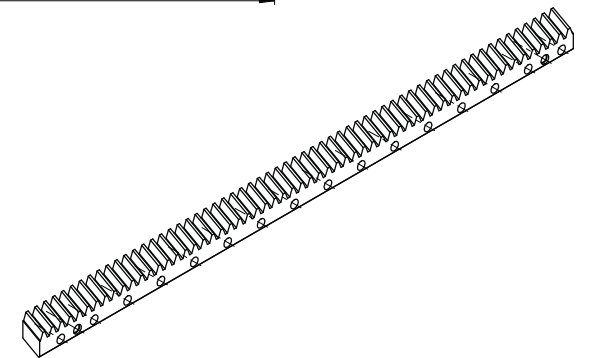
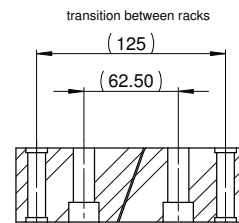
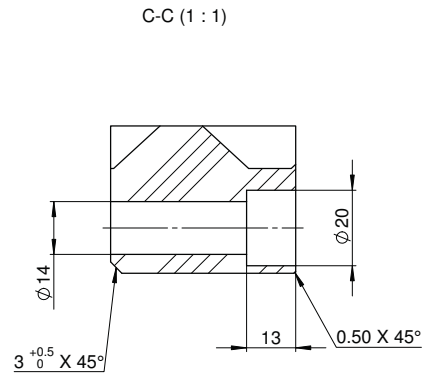
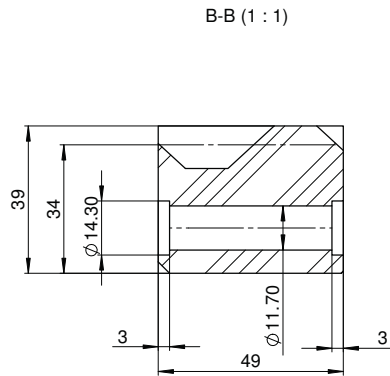
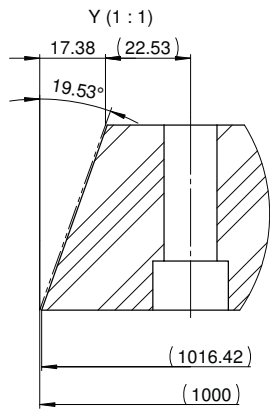
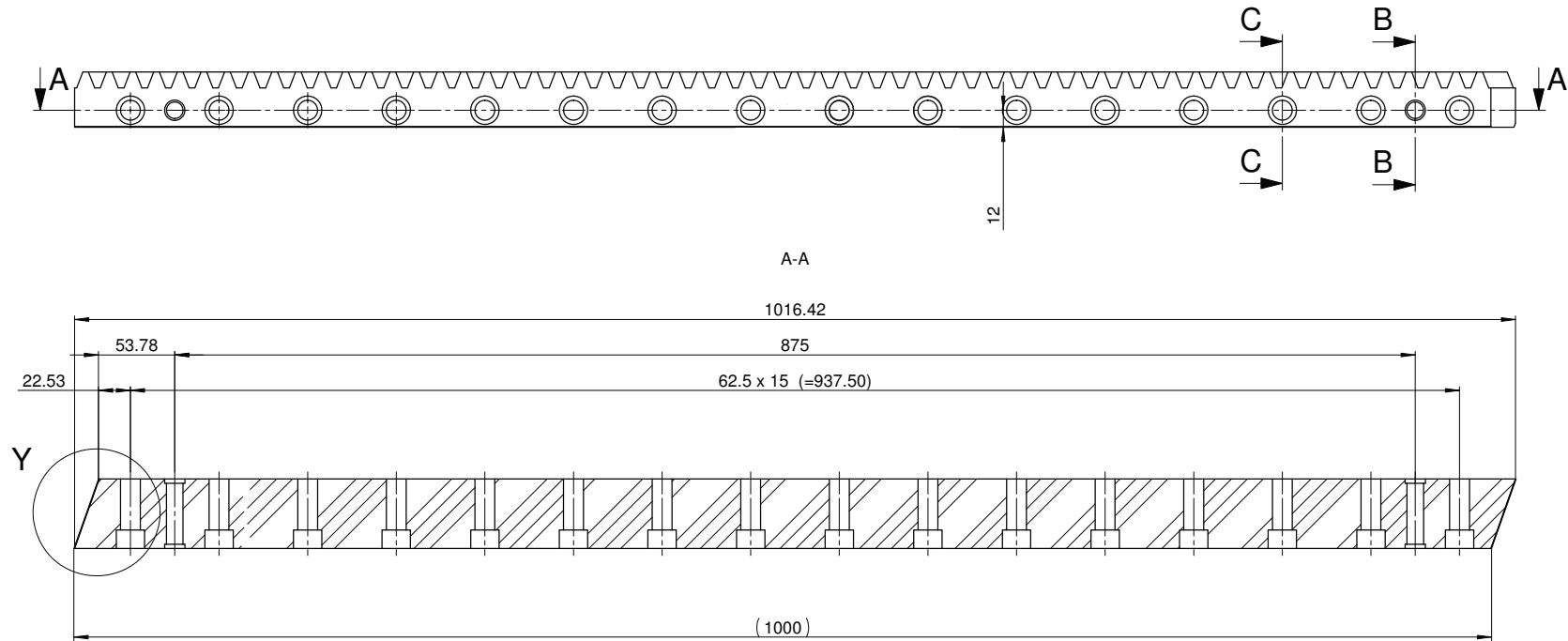
Normal module	Transverse module	Normal pitch	Transverse pitch	Tooth depth
mn	mt	pn	pt	h
4	4.244	12.566	13.33	9



Reference profile	DIN867
Pressure angle α	20°
Helix angle β	19°31'42" = 19.5283
Helix angle direction	right

 First angle projection	All dimensions are METRIC except where noted	Rev. doc. 00	Weight approx. 9.7 kg	Material 16MnCr5
			Scale 1:2.5 for A2	Origin
Sheets 1/1			Detailed	01.02.19
RH04.100.16.RQ6			Checked	01.02.19
			BCH no.	
			Article no.	

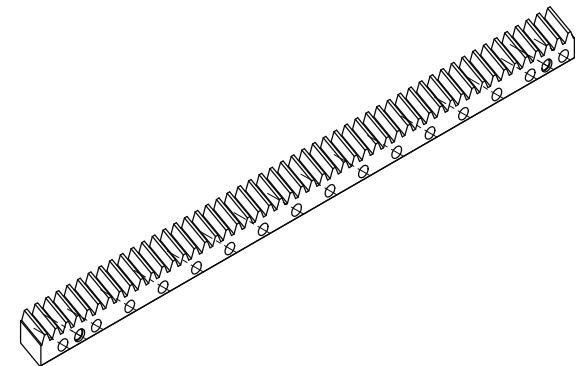
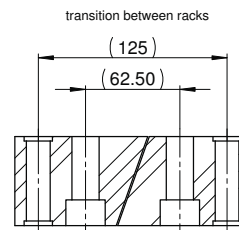
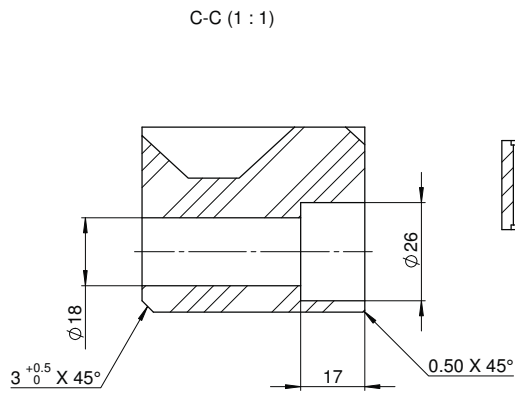
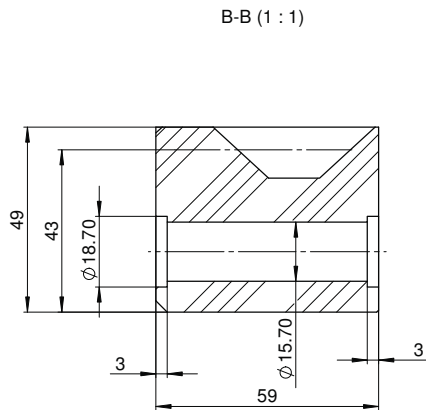
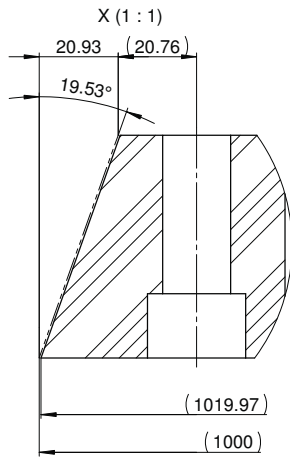
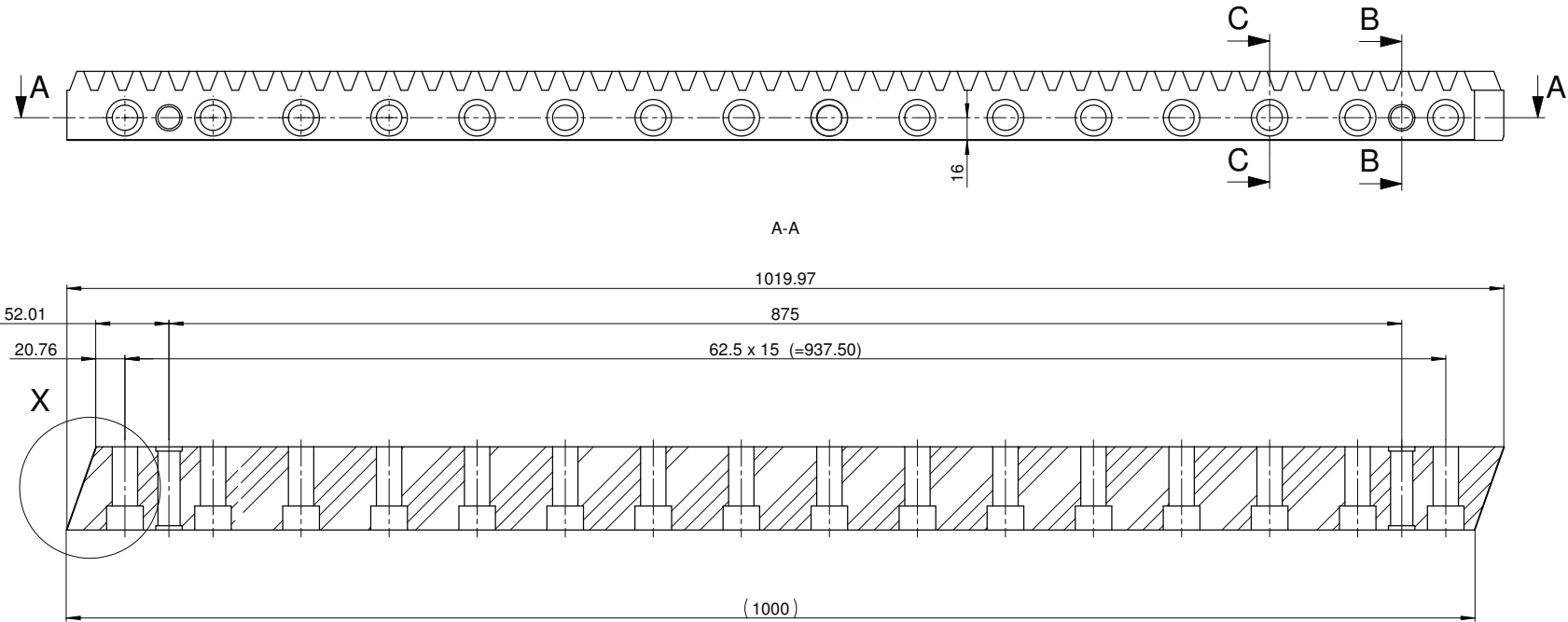
Normal module	Transverse module	Normal pitch	Transverse pitch	Tooth depth
mn	mt	pn	pt	h
5	5.305	15.708	16.66	11.25



Reference profile	DIN867
Pressure angle α	20°
Helix angle β	19°31'42" = 19.5283
Helix angle direction	right

 First angle projection	All dimensions are METRIC except where noted	Rev. Doc. 00	Weight approx. 11.4 kg	Material 16MnCr5
			Scale 1:2.5 bei / for A2	Origin
Sheets 1/1			Checked 01.02.19	
RH05.100.16.RQ6			BCH no.	Article no.

Normal module	Transverse module	Normal pitch	Transverse pitch	Tooth depth
mn	mt	pn	pt	h
6	6.366	18.850	20	13.5



Reference profile	DIN867
Pressure angle α	20°
Helix angle β	19°31'42" = 19.5283
Helix angle direction	right

 First angle projection	All dimensions are METRIC except where noted	Rev. doc. 00	Weight approx. 16.7 kg	Material 16MnCr5
			Scale 1:2.5 for A2	Origin -
Sheets 1/1			Detailed 05.02.19	
RH06.100.16.RQ6			Checked 05.02.19	Article no.